

# UNIBLOCK GM

**Type:** independent monobloc for small and medium volume rooms

**Power:**

Medium temperature: 779÷3652Watt (4÷37m<sup>3</sup>)

Low temperature: 692÷2650 (3÷34 m<sup>3</sup>)

**Installation:** wall mounted with condensing part outside, and evaporating part inside.

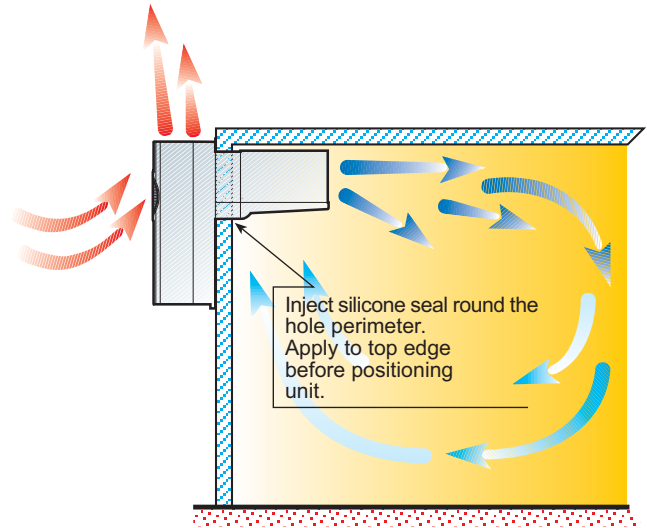
**STANDARD CHARACTERISTICS:**

- Hermetic compressor
- Capillary gas expansion
- Cyclic defrost with hot gas
- Automatic removal of condensation water
- Electronic control and command station
- Evaporator heat exchange coils and condenser with grooved copper pipe and aluminium fins
- Safety sensor for signalling condenser cleaning alarm
- Feed cable, door micro cable, light cable, overhead light and lamp, with door resistance cable (L=2.5 m) for low temperature versions

**OPTIONS**

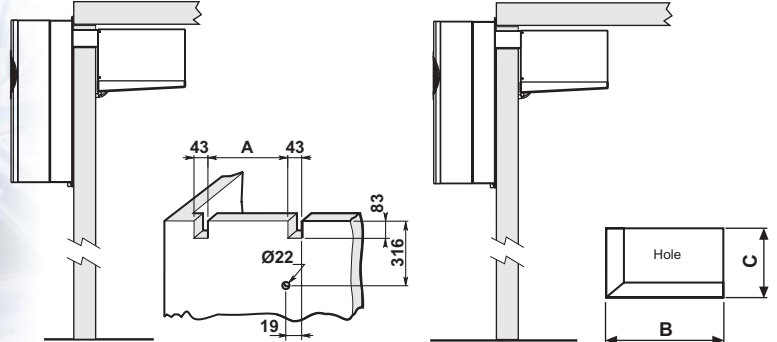
- Connection to supervision system (televis)
- Synchronization of operation of more than one machines
- Mounting for conversion from stacked to wall
- Electric defrost
- Water condensing
- Compressor compartment soundproofing
- Kit for use of units in outside environment including: pressure switch or condenser fans speed variator, compressor preheat resistance
- Different voltage.

**STRADDLE-WALL APPLICATION AND WALL-MOUNTING (on request)**



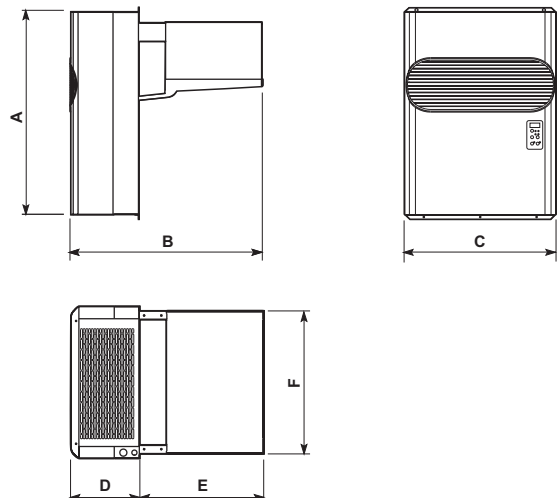
Straddle-wall application

Thru-wall application



MOD.	B	C
GM1	375	335
GM2	590	335
GM3	590	440

**DIMENSIONS**



Mod./mm.	A	B	C	D	E	F
GM1	735	790	400	280	510	368
GM2	830	790	620	280	510	585
GM3	830	982	620	350	632	585



UNIT	REFRIGERANT R404A				COMPRESSOR		CONDENSER	EVAPORATOR		REFRIGERATING CAPACITY (Watt)			
	Voltage	Nominal absorption		Weight	Type	Nominal horsepower	Air volume	Air volume	Air throw*	T. ext. 35°C		T. ext. 40°C	
	V/Ph/Hz	KW	A	kg		kw	m <sup>3</sup> /h	m <sup>3</sup> /h	m	Coldroom temp.		Coldroom temp.	
										0°C	-20°C	0°C	-20°C
<b>MEDIUM TEMPERATURE</b>													
<b>MGM10302F</b>	230/1~/50	0.6	3.9	52	E	0.25	600	600	4	779	-	721	-
<b>MGM10502F</b>	230/1~/50	0.6	3.9	53	E	0.37	600	600	4	965	-	899	-
<b>MGM10602F</b>	230/1~/50	0.6	5.5	56	E	0.46	600	600	4	1062	-	986	-
<b>MGM10702F</b>	230/1~/50	0.9	5.3	56	E	0.56	600	600	4	1247	-	1171	-
<b>MGM11002F</b>	230/1~/50	0.9	5.4	64	E	0.74	600	600	4	1431	-	1352	-
<b>MGM21102F</b>	230/1~/50	1.1	7	80	E	0.74	1200	1200	4	1843	-	1716	-
<b>MGM21202F</b>	400/3N~/50	1.6	5	80	E	0.9	1200	1200	4	2178	-	2032	-
<b>MGM21302F</b>	400/3N~/50	1.8	5.2	80	E	1.1	1200	1200	4	2475	-	2319	-
<b>MGM31502F</b>	400/3N~/50	1.8	4	98	E	1.1	1500	1800	9.5	3221	-	2964	-
<b>MGM32002F</b>	400/3N~/50	2.2	4.9	100	E	1.5	1500	1800	9.5	3652	-	3381	-
<b>LOW TEMPERATURE</b>													
<b>BGM11002F</b>	230/1~/50	0.6	3.5	56	E	0.74	600	600	4	-	740	-	705
<b>BGM11202F</b>	230/1~/50	0.7	4.2	64	E	0.9	600	600	4	-	923	-	875
<b>BGM11702F</b>	230/1~/50	0.9	5.2	64	E	1.3	600	600	4	-	1186	-	1129
<b>BGM21802F</b>	230/1~/50	1.1	6.2	80	E	1.3	1200	1200	4	-	1423	-	1353
<b>BGM22002F</b>	400/3N~/50	1.5	4.3	80	E	1.5	1200	1200	4	-	1656	-	1526
<b>BGM32002F</b>	400/3N~/50	1.5	4.3	105	E	1.5	1500	1800	9.5	-	2192	-	1995
<b>BGM33002F</b>	400/3N~/50	1.7	4	105	E	2.2	1500	1800	9.5	-	2650	-	2469

**E** = Hermetic compressor

\* = Use "air throw" as a base. Air throw is affected by many factors such as height of room, product storage, location of evaporator, etc.